



Nominal data

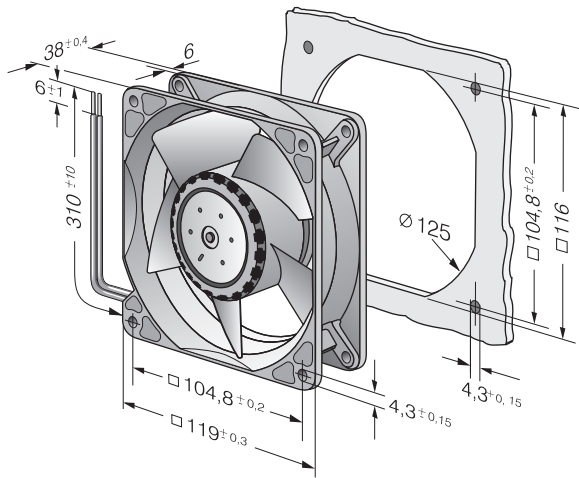
| Type | 4114 N/2H8P | |
|--------------------------|-------------------|----------|
| Nominal voltage | VDC | 24 |
| Nominal voltage range | VDC | 16 .. 30 |
| Speed (rpm) | min ⁻¹ | 11000 |
| Power consumption | W | 120 |
| Min. ambient temperature | °C | -20 |
| Max. ambient temperature | °C | 75 |
| Air flow | m ³ /h | 570 |
| Sound power level | B | 8.9 |
| Sound pressure level | dB(A) | 78 |

ml = Max. load · me = Max. efficiency · fa = Free air · cs = Customer specification · ce = Customer equipment
Subject to change

Technical description

| | |
|--|---|
| General description | Power consumption when wide open; these values may be considerably higher at the operating point. |
| Impeller material | Glass-fiber reinforced PA plastic |
| Weight | 0.425 kg |
| Dimensions | 119 x 119 x 38 mm |
| Housing material | Die-cast aluminum |
| Airflow direction | Intake over struts |
| Direction of rotation | Clockwise, viewed toward rotor |
| Storage | Ball bearing |
| Service life L10 at 40 °C | 55000 h |
| Service life L10 at maximum temperature | 22500 h |
| Cable | Leads AWG 20, sensor and control leads AWG 22, UL 1007, TR 64, stripped and tin-plated. |
| Motor protection | Protected against reverse polarity and blocked rotor. |
| Option | Other inputs and outputs |

Product drawing



Curves: Air performance

